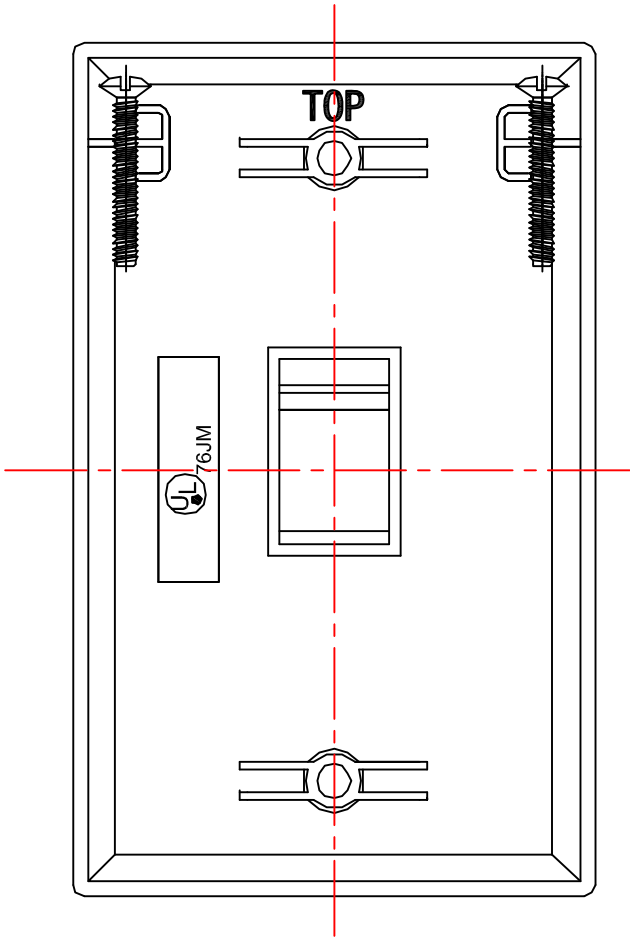
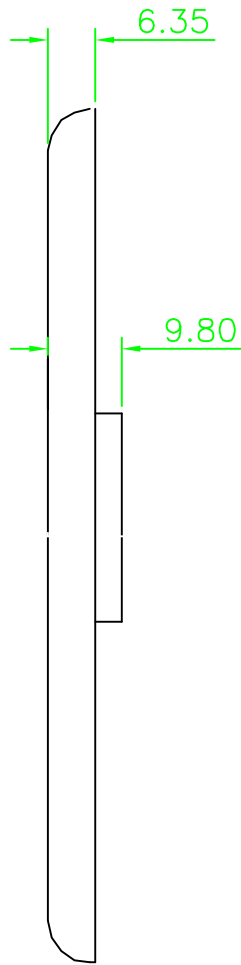
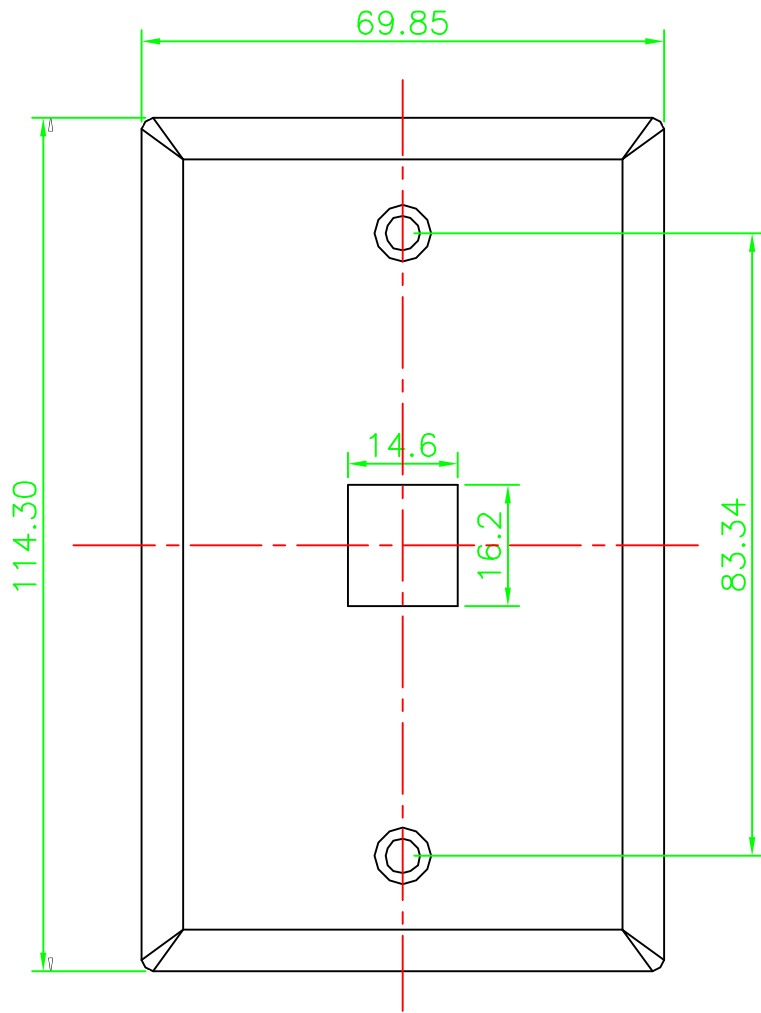


REV	DESCRIPTION	DATE
0	ISSUE	04/01/06



Note:
 UL Certified Communication Accessory
 UL File # E135640
 Screws included snapped into back of plate

WP-N1-AL	ALMOND
WP-N1-BK	BLACK
WP-N1-IV	IVORY
WP-N1-WH	WHITE
P/N.	COLOR

LIBERTY AV SOLUTIONS
 11675 RIDGELINE DRIVE
 COLORADO SPRINGS, CO 80921

WWW.LIBAV.COM
 (800) 530-8998

UNIT:mm	TITLE: Product Specification WP, SG	
SCALE	None	
UNLESS OTHERWISE SPECIFIED TOLERANCES: x ±.015 xx ±.010 xxx ±.005 ANGLE ± 1°	PART NUMBER: WP-N1-YY	DR. RP
		CH. RP
SHEET 1/1	DWG. #: LWC-AAA-00500	AP. RP